

For reference only. See data sheet for the detailed specifications.

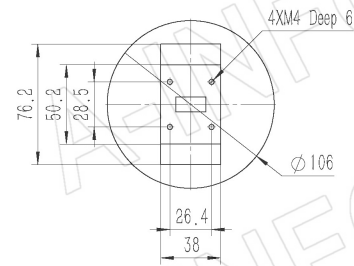
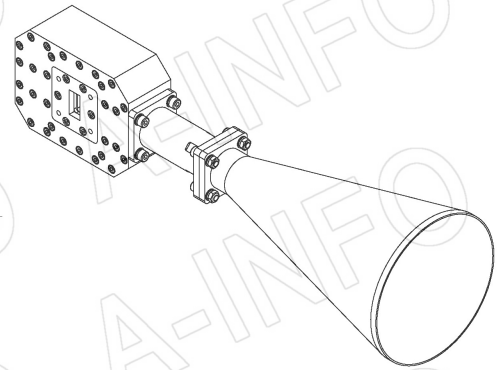
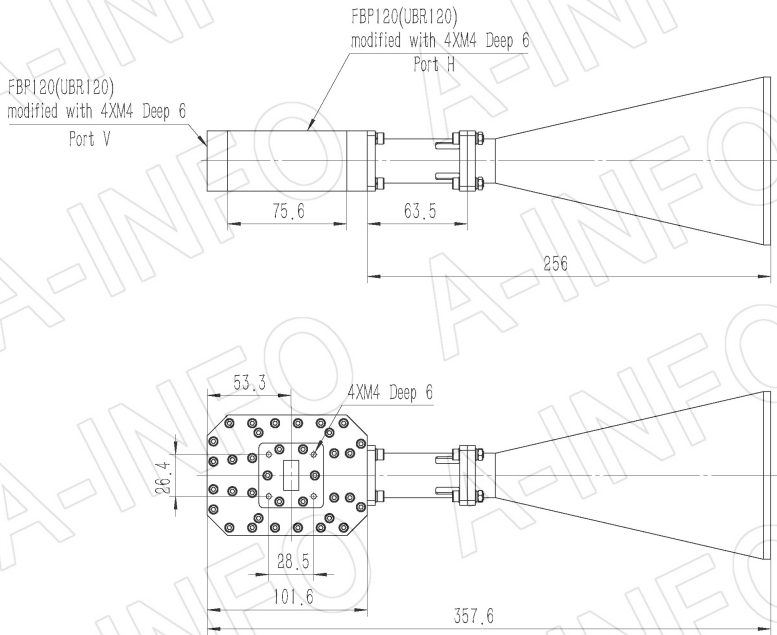
Technical Specification



Frequency Range(GHz)	10.0 – 15.0	
Waveguide	WR75	
Gain(dBi)	20 Typ.	
Polarization	Dual Linear	
3dB Beamwidth(deg)	E Plane:	14 Typ.
	H Plane:	17 Typ.
Cross Pol. Isolation(dB)	45 Typ.	
Port to Port Isolation(dB)	55 Typ. ; 45 Min.	
VSWR	A Type:	1.60:1 Max.
	C Type:	1.80:1 Max.
Output	A Type:	FBP120(UBR120) (modified with 4xM4 Deep 6)
	C Type:	SMA-Female or N-Female or TNC-Female or 7mm or 3.5mm-Female
Material	Al	
Finish	Silver Plated and Chemical Conversion Coating, Gray Paint	
Size(mm)	A Type:	106 x 106 x 357.6
	C Type:	106 x 106 x 387.6
Net Weight(Kg)	A Type:	0.99 Around
	C Type:	1.09 Around

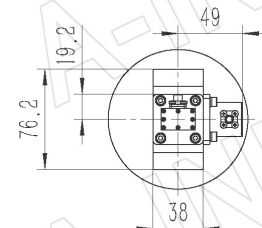
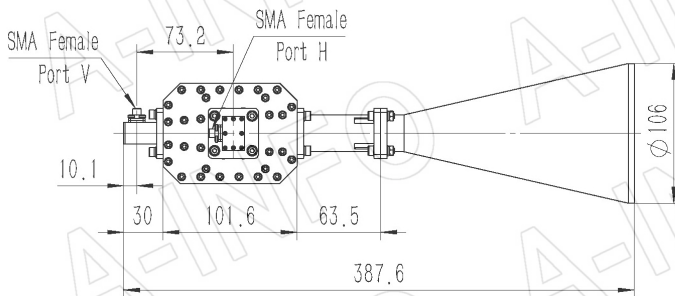
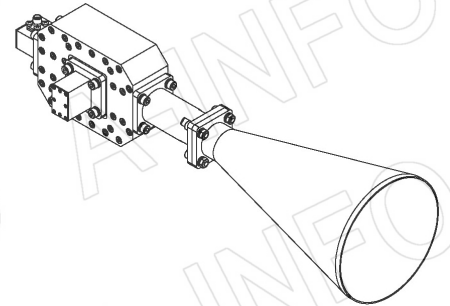
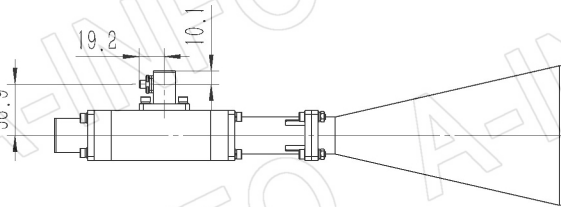
Outline Drawing (Size: mm)

FBP120 Output (P/N: LB-CNH-75-20-T02-A)

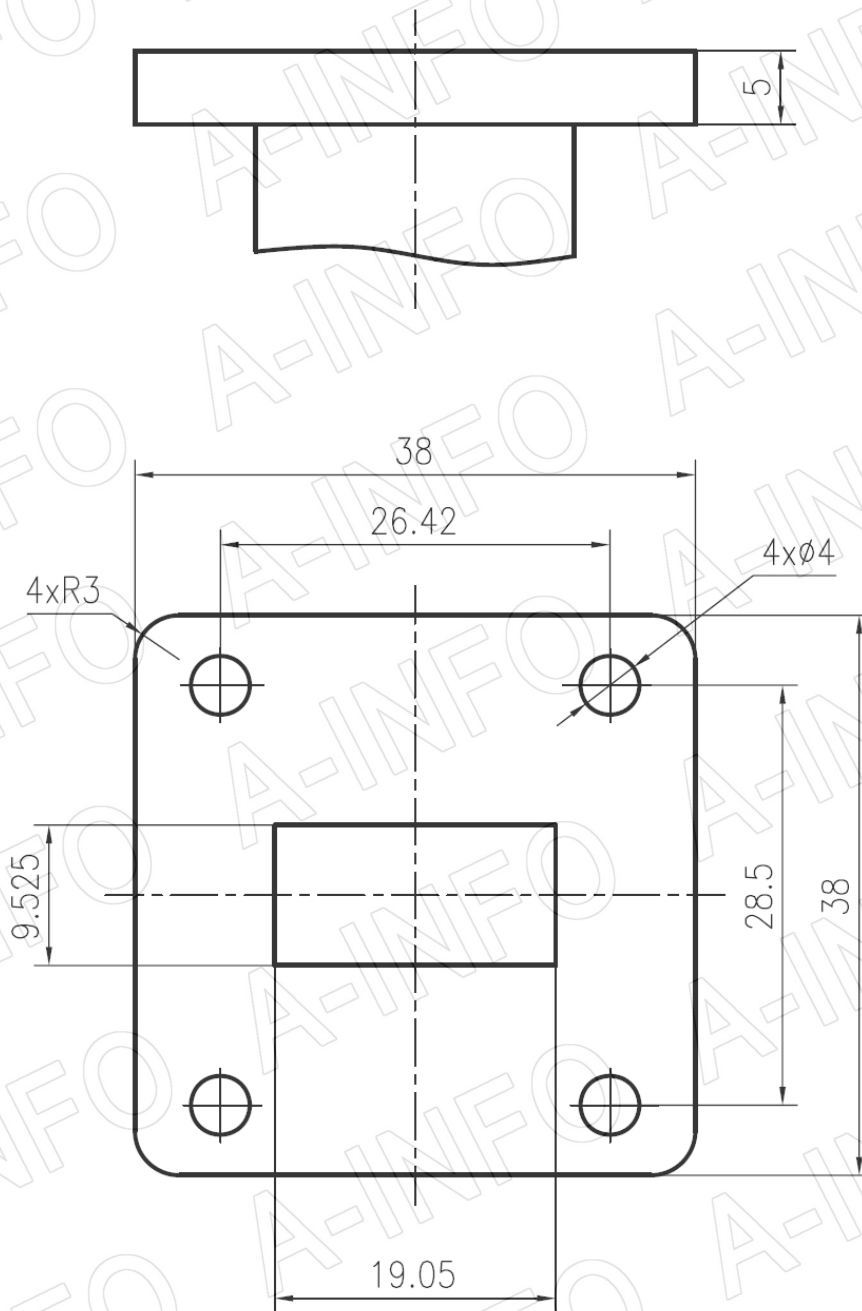


SMA-Female Output (P/N: LB-CNH-75-20-T02-C-SF)

For N-Female, TNC- Female, 7mm or 3.5mm-Female output outline drawing, please contact A-INFO.



Flange Drawing (Size: mm)



FBP120

AINFO Inc.

China(Beijing): Tel: (+86) 10-6266-7326,
China(Chengdu): Tel: (+86) 28-8519-2786,
USA: Tel: (+1) 949-639-9688,

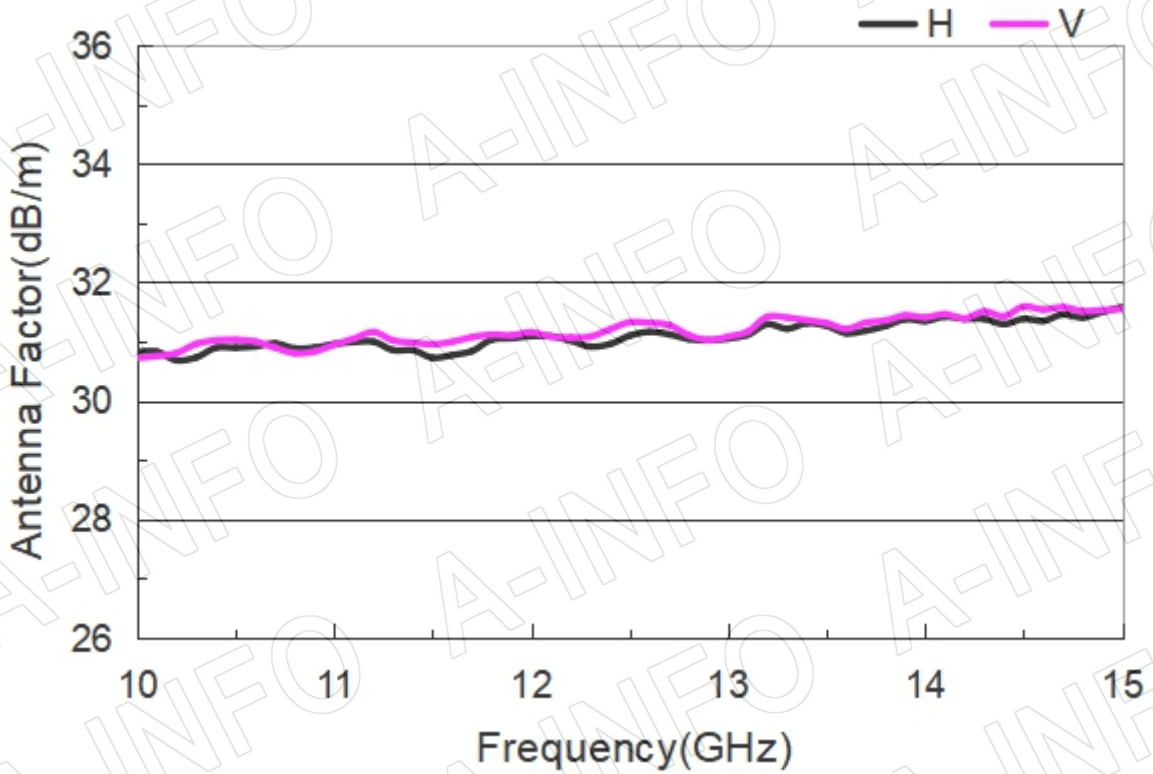
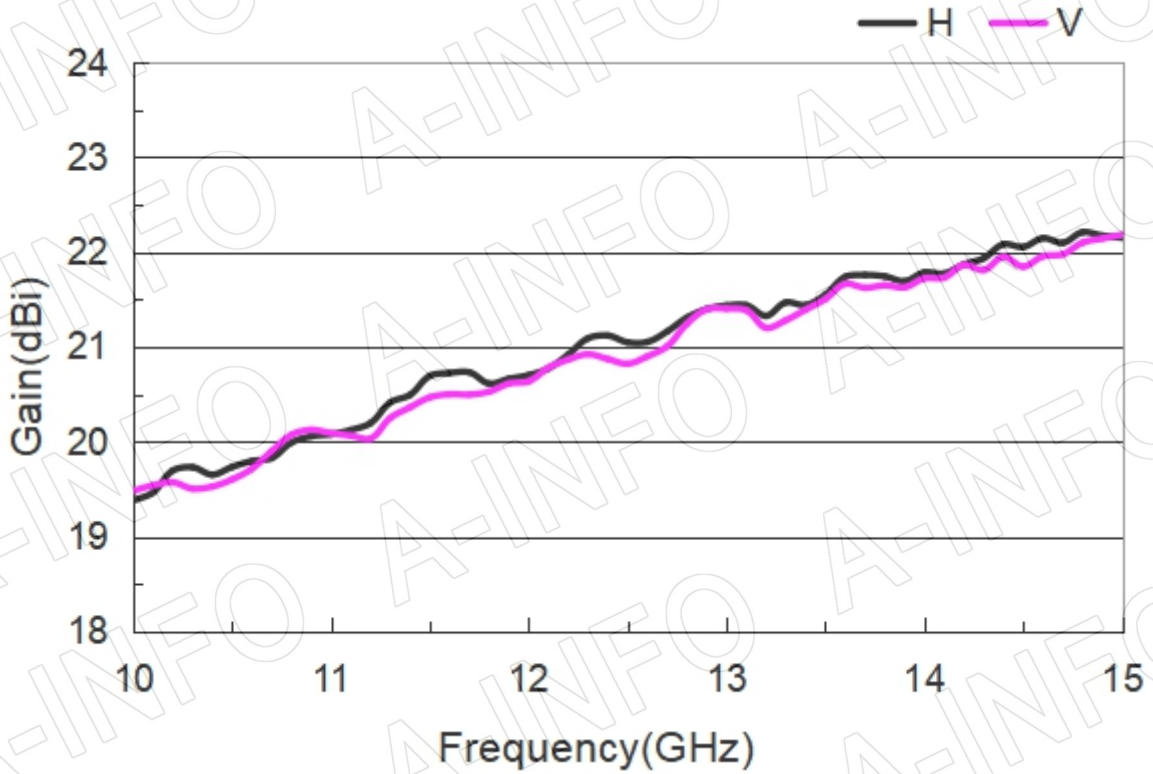
Page 3 of 9

(+86) 10-6266-7327 Fax: (+86) 10-6266-7379
(+86) 28-8519-3044 Fax: (+86) 28-8519-3068
(+1) 949-639-9608 Fax: (+1) 949-639-9670

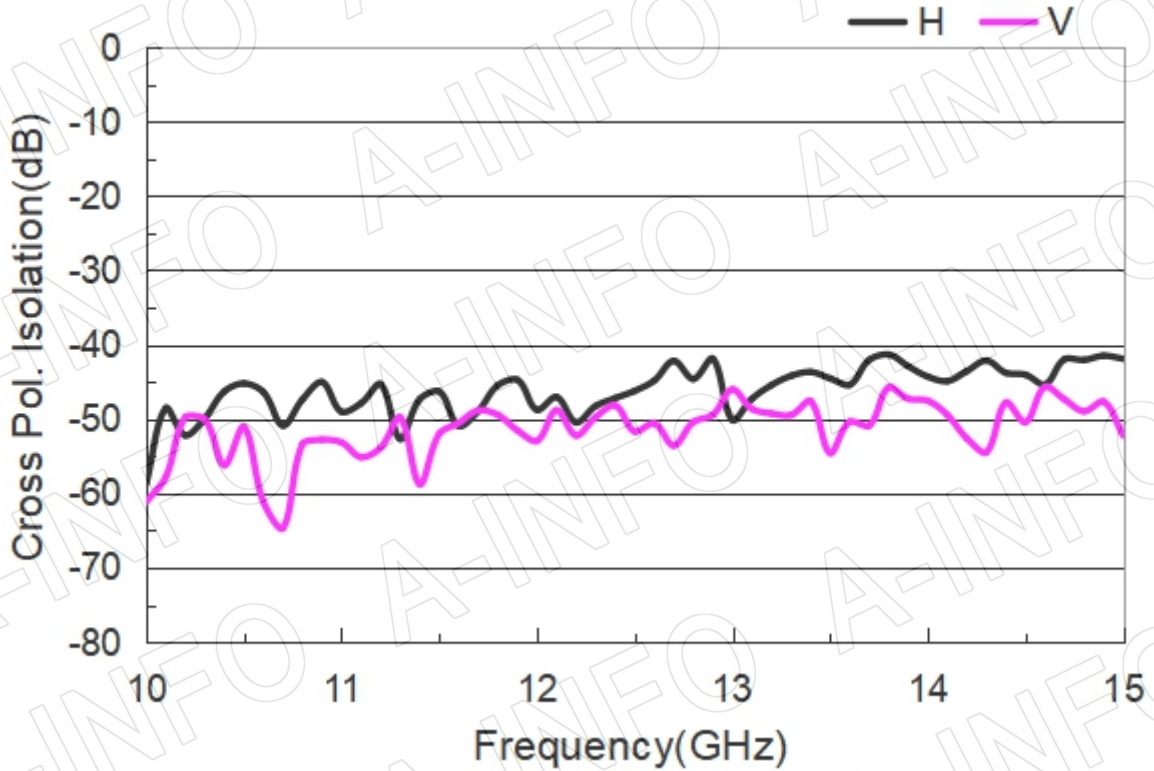
Website: www.ainfoinc.com
Email: sales@ainfoinc.com

Test Results

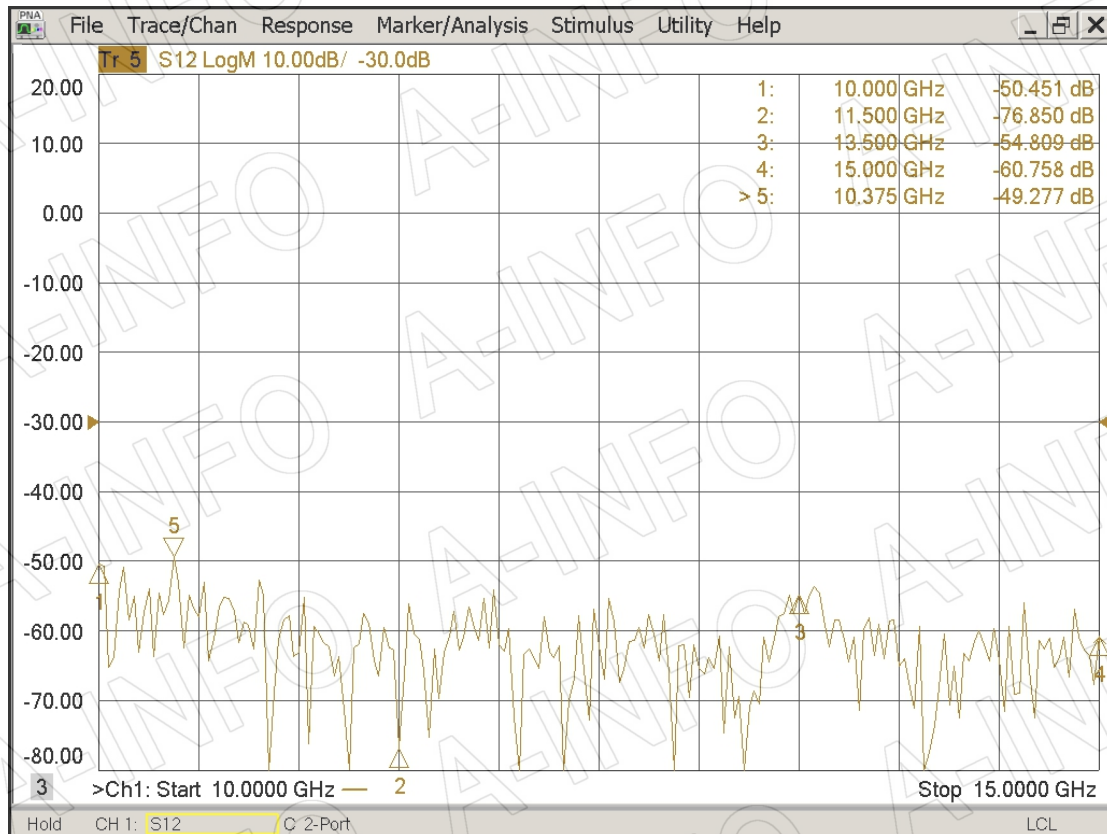
1. Gain & Antenna Factor



2. Cross Polarization Isolation

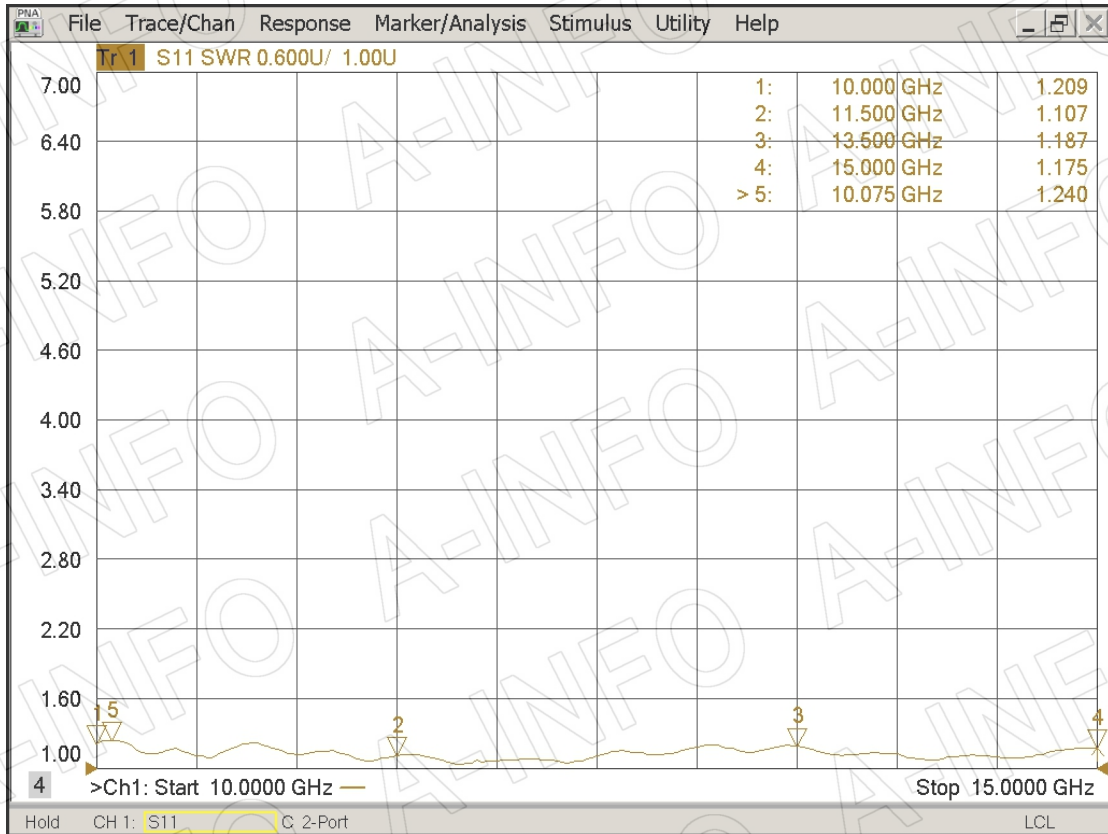


3. Port to Port Isolation

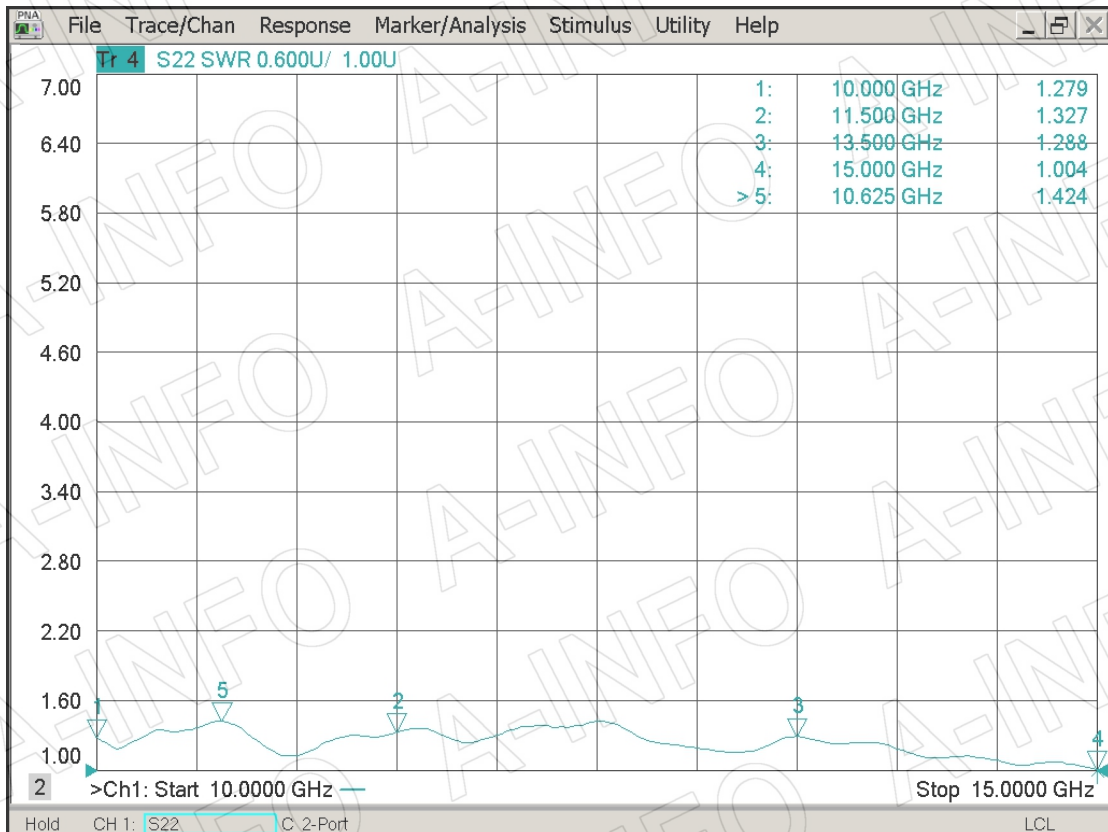


4. VSWR_A Type

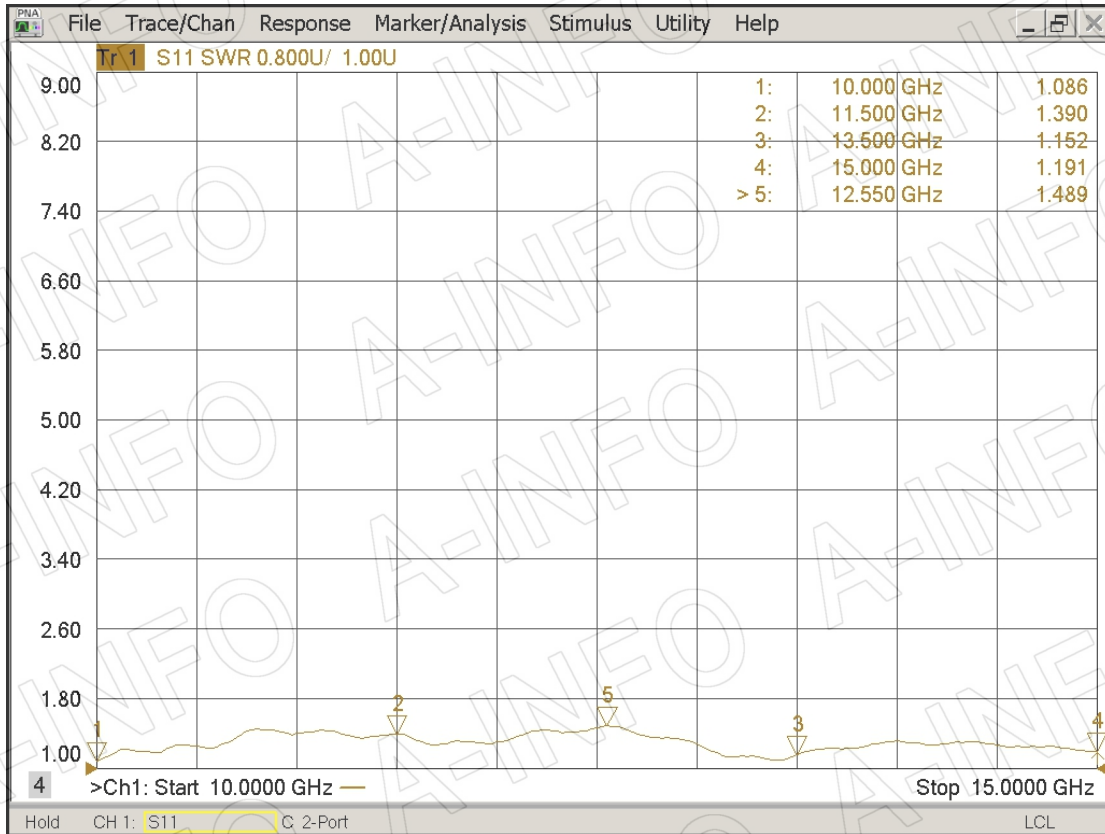
Port-H



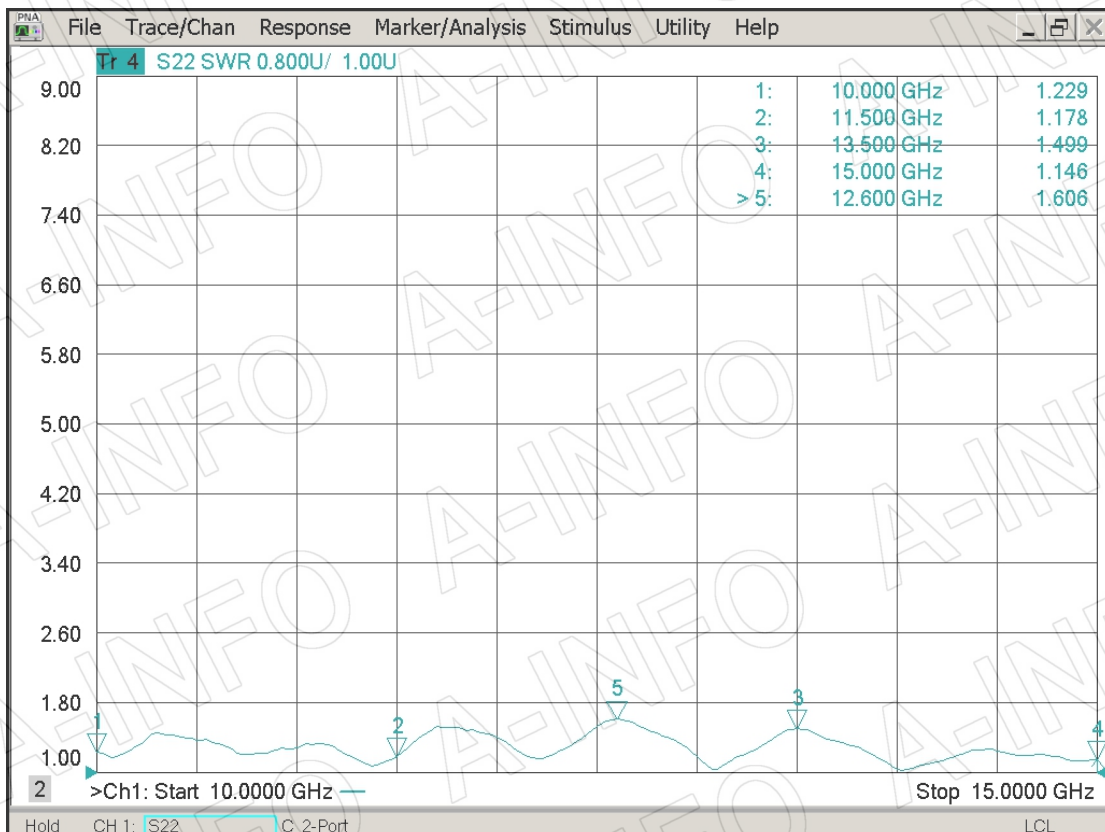
Port-V



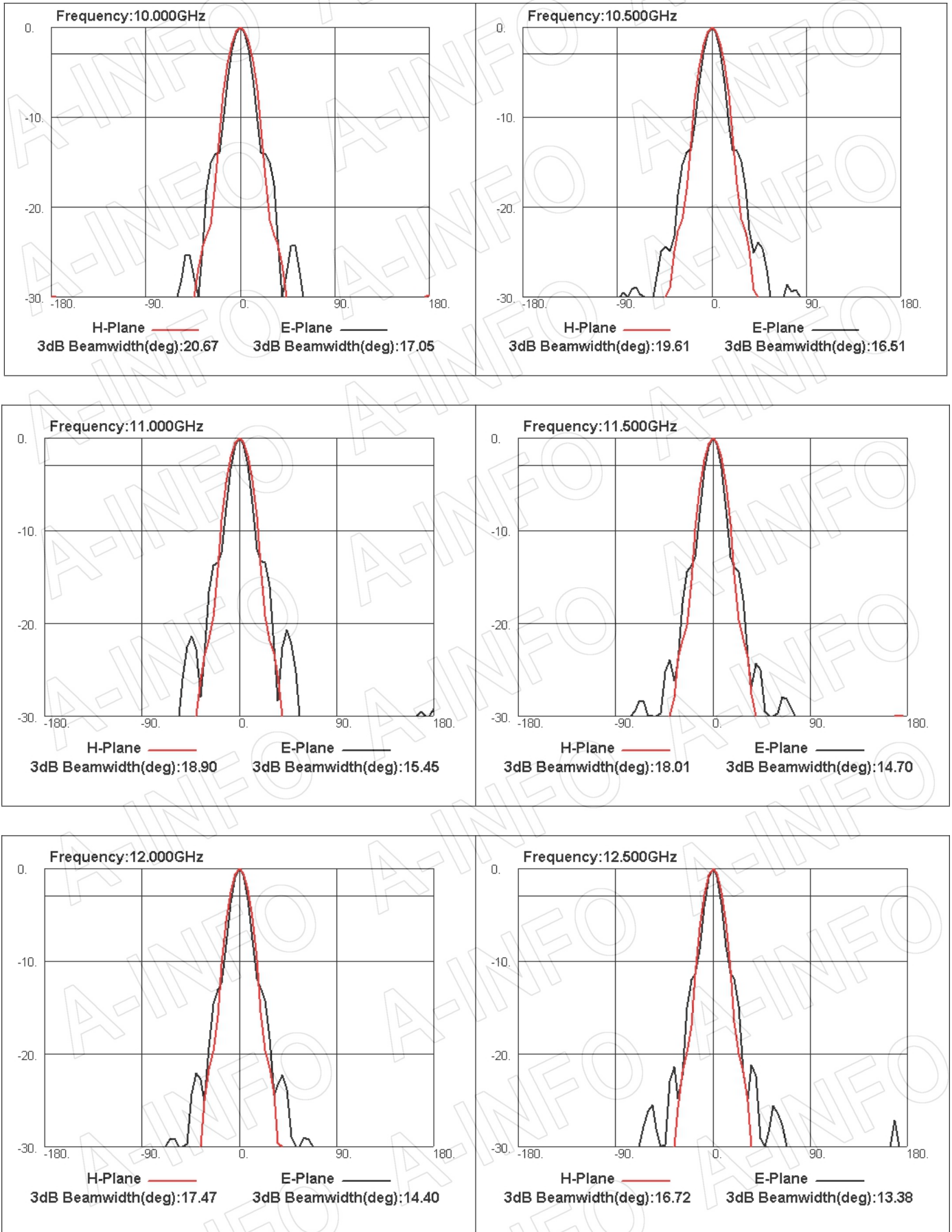
VSWR_C Type Port-H



Port-V



5. Pattern



AINFO Inc.

China(Beijing): Tel: (+86) 10-6266-7326,
China(Chengdu): Tel: (+86) 28-8519-2786,
USA: Tel: (+1) 949-639-9688,

Page 8 of 9

(+86) 10-6266-7327 Fax: (+86) 10-6266-7379
(+86) 28-8519-3044 Fax: (+86) 28-8519-3068
(+1) 949-639-9608 Fax: (+1) 949-639-9670

Website: www.ainfoinc.com
Email: sales@ainfoinc.com

